



**Electrolux**  
PROFESSIONAL

**Modular Cooking Range Line  
700XP 4 Hot Plate Electric  
Induction Cooking Top Range**

ITEM # \_\_\_\_\_

MODEL # \_\_\_\_\_

NAME # \_\_\_\_\_

SIS # \_\_\_\_\_

AIA # \_\_\_\_\_



- |                            |   |
|----------------------------|---|
| <b>371021 (E7INEH4000)</b> | 4-zone (3,5 kW each)<br>electric induction cooking<br>top |
| <b>371132 (E7INEH400N)</b> | 4-zone (3,5 kW each)<br>electric induction cooking<br>top |

**Short Form Specification**

**Item No.** \_\_\_\_\_

6 mm thick glass ceramic cooking surface with 4 independently controlled 3.5 kW induction zones. Induction top surface with seamless transition between individual heating zones. Exterior panels in stainless steel with Scotch Brite finish. One piece pressed work top in 1.5 mm thick stainless steel. Right-angled side edges to allow flush-fitting junction between units.

**Main Features**

- 6mm glass ceramic cooking surface with 4 independently controlled induction zones with a power of 3.5 kW per zone.
- Almost the entire surface of the ceramic plate can be used without "dead" spots.
- Indicating lamp for each zone located on control console.
- Induction plates endowed with overheating safety device.
- Power to the individual zones can be set with progressive output i.e. fine regulation at the lower and larger progress at the upper levels.
- Low heat dissipation to the kitchen.
- The smooth, glass ceramic plate is not directly heated, so there is no burning on cooking surface.
- IPx4 water protection.
- Pots diameter to be used : min 12cm, max 28 cm in order to obtain maximum heating efficiency.
- Suitable for countertop installation.

**Construction**

- All exterior panels in Stainless Steel with Scotch Brite finishing.
- One piece pressed 1.5 mm work top in Stainless steel.
- Model has right-angled side edges to allow flush fitting joints between units, eliminating gaps and possible dirt traps.

**Sustainability**



- This model is compliant with Swiss Energy Efficiency Ordinance (730.02).

**Optional Accessories**

- GN2/1 chrome grid for static oven (only for 371021) PNC 164250
- Scraper for smooth plate fry tops (only for 371132) PNC 164255
- Support for bridge type installation, 800mm PNC 206137
- Support for bridge type installation, 1000mm PNC 206138
- Support for bridge type installation, 1200mm PNC 206139
- Support for bridge type installation, 1400mm PNC 206140
- Support for bridge type installation, 1600mm PNC 206141
- Water column extension for 700 line PNC 206291
- Chimney upstand, 800mm PNC 206304

**APPROVAL:** \_\_\_\_\_



Experience the Excellence  
www.electroluxprofessional.com  
ELUX\_EMAIL

- Chimney grid net, 400mm (700XP/900) PNC 206400
- 2 side covering panels for top appliances PNC 216277

## Electric

### Supply voltage:

371021 (E7INEH4000)	380-415 V/3 ph/50/60 Hz
371132 (E7INEH400N)	230 V/3 ph/50/60 Hz

### Total Watts:

14 kW

## Key Information:

If appliance is set up or next to or against temperature sensitive furniture or similar, a safety gap of approximately 150 mm should be maintained or some form of heat insulation fitted.

Induction compatible pots & pans must be used.

**Net weight:** 57 kg

### Shipping weight:

371021 (E7INEH4000)	65 kg
371132 (E7INEH400N)	67 kg

### Shipping height:

371021 (E7INEH4000)	530 mm
371132 (E7INEH400N)	520 mm

### Shipping width:

820 mm

### Shipping depth:

860 mm

### Shipping volume:

0.37 m<sup>3</sup>

### [NOT TRANSLATED]

371021 (E7INEH4000)	IH740
371132 (E7INEH400N)	NIN87F

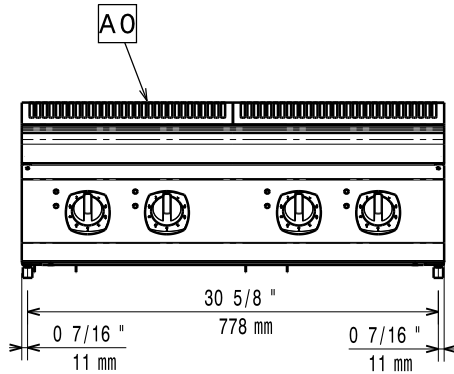
### Induction Top Dimensions

(width): 800 mm

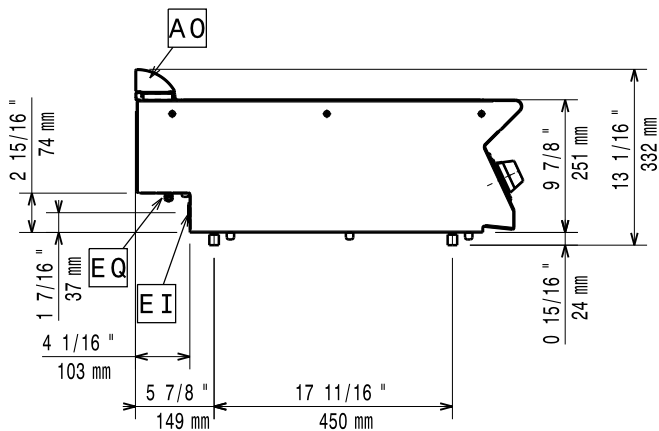
### Induction Top Dimensions

(depth): 730 mm

Front



Side



EI = Electrical inlet (power)  
 EQ = Equipotential screw

Top

